

GRUNDFOS CMB PM1 BOOSTER

Grundfos CMB PM 1 Booster is ideal for instant water heater showers while providing strong, constant water pressure around your house and garden. The CMB PM 1 Booster is a compact, quiet yet powerful multi-stage pump with built-in pressure control and maintenance free design.



Product certified by SIRIM



Quiet operation



2 years warranty



Dry running protection



Quality assurance



Longer life span



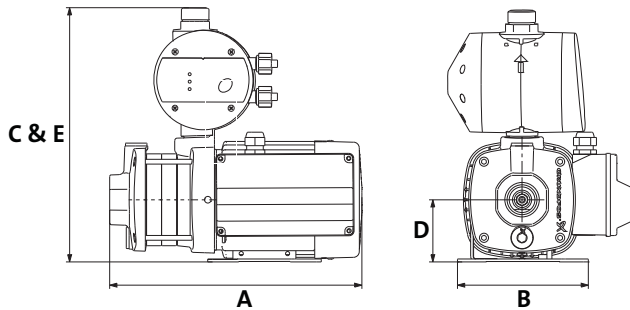
Space-saving



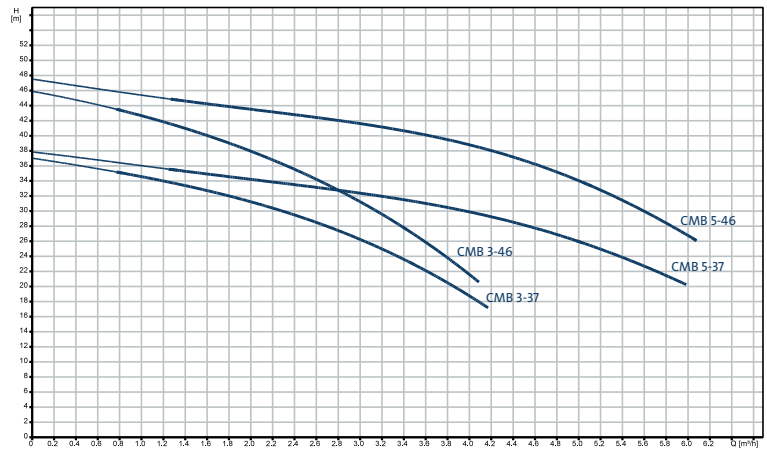
Easy installation

TECHNICAL & PERFORMANCE DATA

PHYSICAL ATTRIBUTES



PERFORMANCE CURVE



Model	Motor Power P2 (kW)	Connections		Dimensions (mm)					Weight (kg)
		Inlet	Outlet	A (l)	B (w)	C (h)	D (inlet)	E (outlet)	
CMB 3-37 PM1	0.50	1" Female	1" Male	324	158	315	75	315	14
CMB 3-46 PM1	0.50	1" Female	1" Male	342	158	315	75	315	14
CMB 5-37 PM1	0.67	1¼" Female	1" Male	364	158	315	75	315	15
CMB 5-46 PM1	0.90	1¼" Female	1" Male	382	158	315	75	315	15

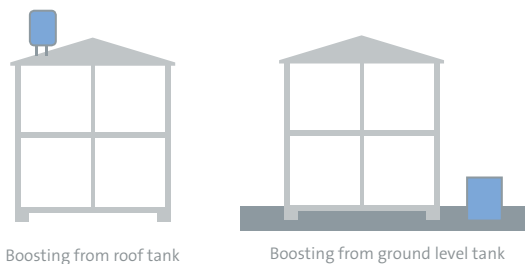
OPERATING CONDITIONS

Ambient Temperature	0°C to +55°C
Liquid Temperature	0°C to +60°C
System Pressure	Max. 10 bar

TECHNICAL DATA

Power Supply Voltage	220-240 Volt, 50 Hz
Power Supply Cable	2 m with plug
Enclosure Class	Undercover installation recommended (IP55)
Approvals and Markings	Listed & Registered in SPAN SIRIM Certified

POSITIVE INLET PRESSURE (WATER ABOVE PUMP LEVEL)



SELECTION GUIDE - MAKE THE RIGHT CHOICE

CMB PM1 MODELS	Solar/Electric Storage Water Heater		Instant Electric Hot Water Heater
	Normal Shower	Rain Shower	
CMB 3-37 PM1	1-2 Bathrooms	1 Bathroom	1-2 Bathrooms
CMB 3-46 PM1	1-3 Bathrooms	1-2 Bathrooms	1-3 Bathrooms
CMB 5-37 PM1	4-5 Bathrooms	3-4 Bathrooms	4-5 Bathrooms
CMB 5-46 PM1	6 Bathrooms	5 Bathrooms	6 Bathrooms

GRUNDFOS PUMPS SDN BHD
 7, Jalan Peguam U1/25, Glenmarie Industrial Park
 40150, Shah Alam, Selangor
 Tel: +603-5032 1900 Fax: +603-5032 1732
 Toll Free: 1800 88 PUMP (7867)
www.grundfos.com/my

