

GRUNDFOS CMB PT BOOSTER

The CMB PT Boosters with pneumatic tank gives you a host of extraordinary benefits.

The pneumatic tank smoothes flow from faucets, reduces the number of start/stops, eliminates pulsations and water hammer. One of the advantages of a pneumatic tank is that they can dispense up to half of their capacity of water without the pump switching on, resulting in less wear and tear and greater energy savings.



Product
certified
by SIRIM



Quiet
operation



2 years
warranty



Energy
saving



Quality
assurance



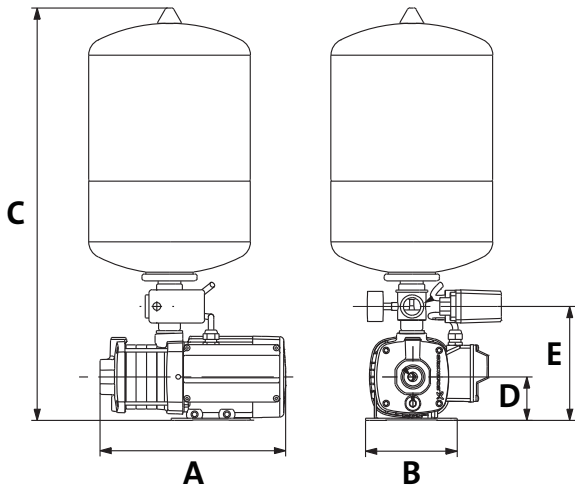
Longer
life span



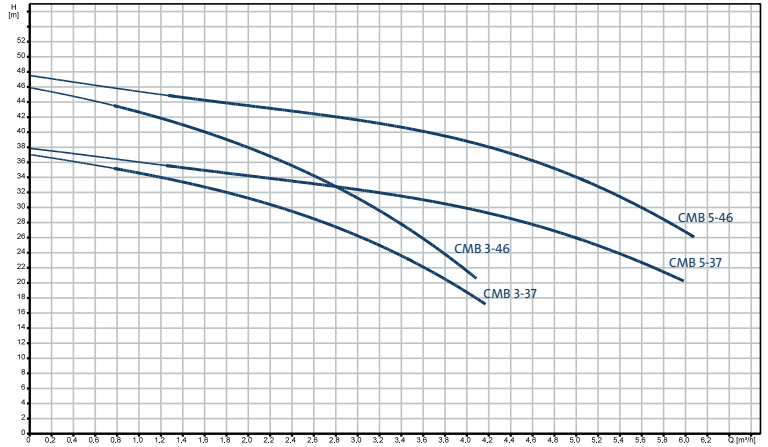
Easy
installation

TECHNICAL & PERFORMANCE DATA

PHYSICAL ATTRIBUTES



PERFORMANCE CURVE



Model	Motor Power P2 (kW)	Connections		Dimensions (mm)					Weight (kg)
		Inlet	Outlet	A (l)	B (w)	C (h)	D (inlet)	E (outlet)	
CMB 3-37 PT	0.50	1" Female	1" Male	324	158	585	75	195	18
CMB 3-46 PT	0.50	1" Female	1" Male	342	158	585	75	195	18
CMB 5-37 PT	0.67	1 1/4" Female	1" Male	364	158	585	75	195	19
CMB 5-46 PT	0.90	1 1/4" Female	1" Male	382	158	675	75	195	22

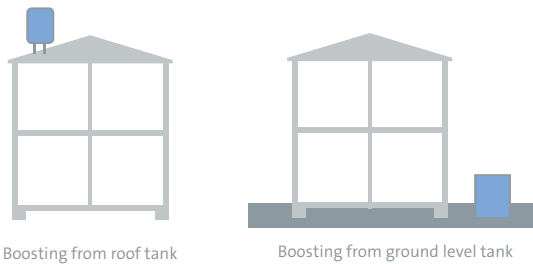
OPERATING CONDITIONS

Ambient Temperature	0°C to +55°C
Liquid Temperature	0°C to +60°C
System Pressure	Max. 10 bar

TECHNICAL DATA

Power Supply Voltage	220-240 Volt, 50 Hz
Power Supply Cable	2 m with plug
Enclosure Class	Undercover installation recommended (IP55)
Approvals and Markings	Listed & Registered in SPAN SIRIM Certified

POSITIVE INLET PRESSURE (WATER ABOVE PUMP LEVEL)



SELECTION GUIDE - MAKE THE RIGHT CHOICE

CMB PT MODELS	Solar/Electric Storage Water Heater		Instant Electric Hot Water Heater
	Normal Shower	Rain Shower	
CMB 3-37 PM1	1-2 Bathrooms	1 Bathroom	-
CMB 3-46 PM1	1-3 bathrooms	1-2 Bathrooms	-
CMB 5-37 PM1	4-5 Bathrooms	3-4 Bathrooms	-
CMB 5-46 PM1	6 Bathrooms	5 Bathrooms	-